

WIRING

To Chassis Ground.....**BLACK**

To +VDC for Warning Mode ❶ (fuse @ 2A).....**RED**

Default Setting – Flash Pattern #1 Double [2Hz],
Group 1 (Sim.) with Scene to Cruise Mode Activated

To +VDC for Warning Mode ❷ (fuse @ 2A).....**GREEN**

Default Setting – Flash Pattern #27 Cruise L, Group 1 (Sim.)

Order of Precedence: Mode 1 > Mode 2.

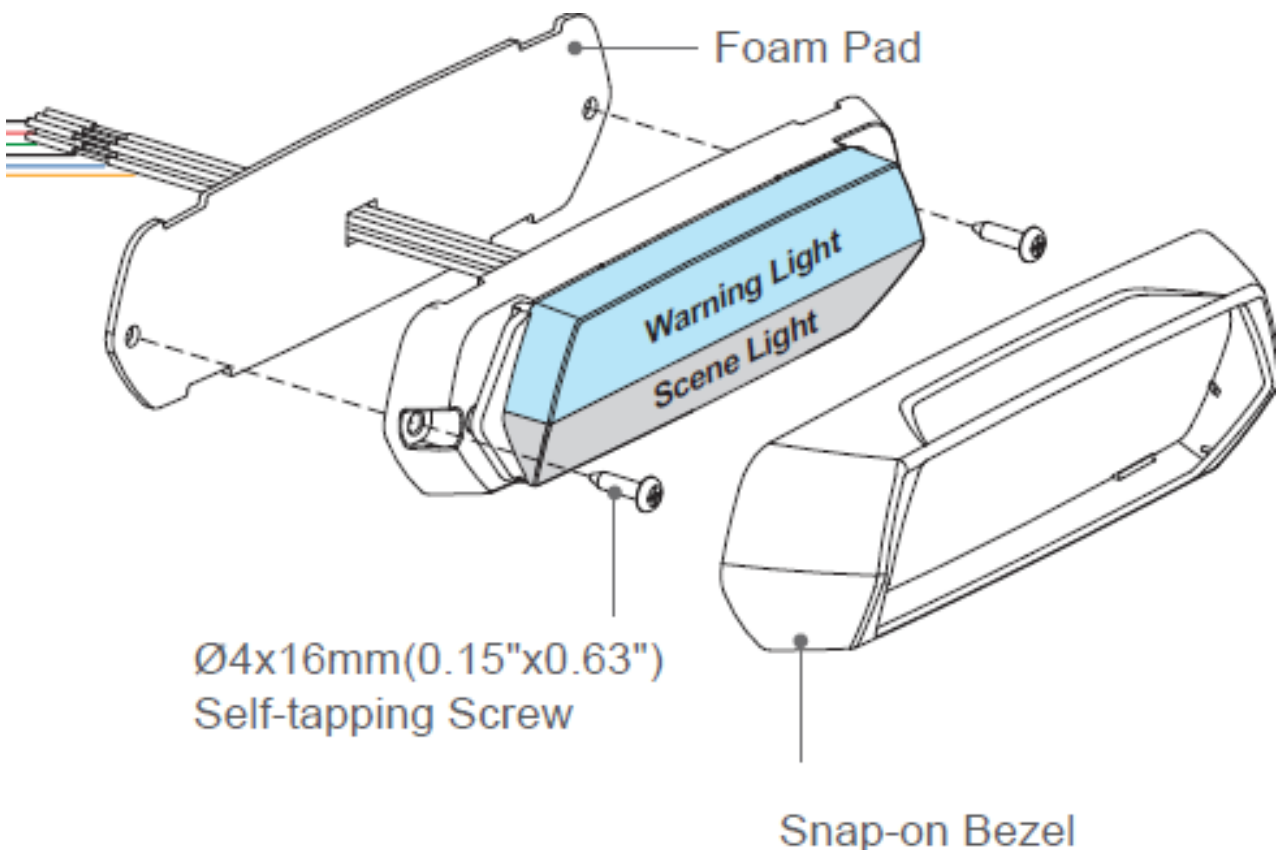
For Low Power Operation.....**WHITE**

Apply +VDC to **WHITE** wire while **RED** or **Green** wire is activated for Low Power Operation.

To +VDC for Scene light (fuse @ 2A).....**BLUE**

For Synchronization and Flash Pattern.....**YELLOW**

Connect **YELLOW** wires of all lightheads together for synchronization.
(All lightheads should be set to the same Flash Pattern)



OPERATION

For Flash Pattern Selection:

Each Warning Memory may select and save one flash pattern. While activating a warning mode, momentarily apply **YELLOW** wire to +VDC:

- Once to next pattern
- Quick three times to Default (refer to Flash Pattern Chart)

For Synchronization & Scene-to-Cruise Setting:

1. Apply +VDC to **RED** or **GREEN** and **YELLOW** wires simultaneously to enter SETTING MODE; the lighthouse will display short flashes:
 - Single flash in left = Group 1 (Sim.)
 - Double flash in left = Group 2 (Alt.)
 - Single flash in right = Group 1 (Sim.) with Scene-to-Cruise enabled*.
 - Double flash in right = Group 2 (Alt.) with Scene-to-Cruise enabled*.



* *Scene-to-Cruise enabled* : While Scene-to-Cruise enabled for the warning wire, upper warning light will turn into cruise mode automatically when the warning wire and scene light wire are activated together. Deactivate scene light wire, upper warning light will revert to warning mode.

2. Remove **YELLOW** wire from +VDC then momentarily apply to +VDC to change setting.
3. Save and exit SETTING MODE by disconnecting all power.

NOTE1: Same Group will flash simultaneously; different Group will flash alternately.

NOTE2: Group setting for each wire must be set independently.

Reset to Factory Default Settings:

1. Apply +VDC to **RED** or **GREEN** and **YELLOW** wires simultaneously to enter SETTING MODE.
2. Remove **YELLOW** wire from +VDC then apply to +VDC again for more than 5 seconds. The lighthouse will display fast short flashes to signify restoring successfully.
3. Save and exit SETTING MODE by disconnecting all power.

Flash Pattern			
1	Double	[2Hz]	16 Single H/L
2	Single	[2Hz]	17 Single-Triple-Quint
3	Triple	[2Hz]	18 Steady Scene
4	Quad	[2Hz]	19 Single [Split]
5	Random		20 Double [Split]
6	Steady EF**		21 Quad [Split]
7	Single	[SAE/CA13]	22 Quint [Split]
8	Double	[SAE]	23 Mega [Split]
9	Triple	[SAE]	24 Ultra [Split]
10	Quad	[SAE]	25 Single-Quad [Split]
11	Quint	[SAE]	26 Single H/L [Split]
12	Mega		27 Cruise L
13	Giga		28 Cruise M
14	Ultra	[SAE]	29 Cruise H
15	Single-Quad		

** For use with external flash controller.